



# TD8

Rotary piston volumetric type water meter

TD8 is a piston type meter with extra dry register for residential and commercial & industrial applications for drinking water quality.

## FEATURES AND BENEFITS

- » Very large measuring range
- » Pre-equipped for communication
- » Very low starting flow

## The Technology

TD8 combines the advantages of piston type technology together with proven reliability of the extra dry register. No gears in contact with water.

The smooth piston chamber ensures long term accuracy. The irreversible meter cap mounting makes it totally tamperproof without the use of lead seals.

## Standard Compliance

- » NMI R49-1 class 2 in all positions
- » AS 3565.1

## Measuring Range

- » Very low starting flow allows leakage detection
- » Very large measuring range with Q3/Q1 Ratio up to R400 (DN20)

## Easy Reading

TD8 extra dry register offers the following benefits:

- » Rotation close to 360° on site

- » Large numbered rollers with good contrast for excellent reading capability
- » Wiper ensures readability of the extra-dry register in tough humid conditions
- » Leakage Detector dial on meter can be used to identify water loss
- » Case protection: IP 68

## Communication Device

- » Pre-equipped for future communication through Cyble

## WORKING PRINCIPLE

The TD8 has two main components; the hydraulics that allows measurement of the water flow and the register that displays the measured water volume.

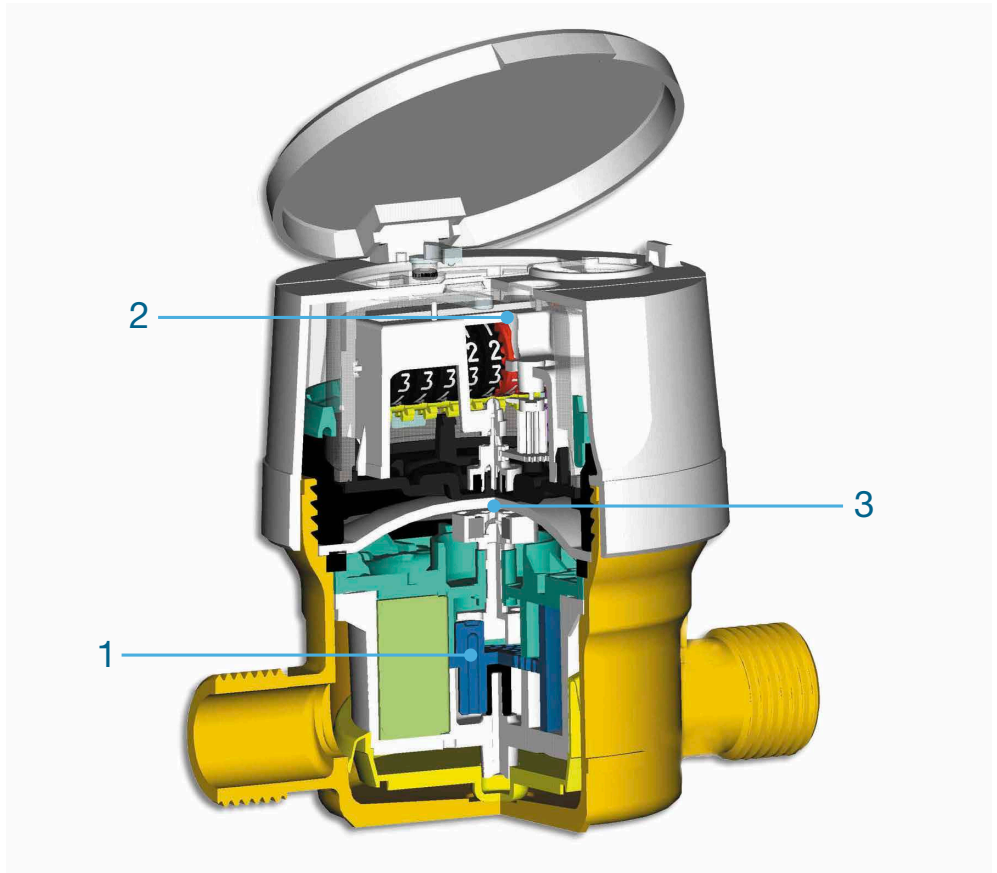
Transmission interface between those components is achieved by a magnetic coupling **3**.

TD8 is a piston type volumetric meter

**1**. Each rotation of the piston in the measuring chamber represents a given volume of water passing through.

The magnetic coupling transmission, standard on the TD8 line, is accompanied by an extra dry register **2**.

Both gears and the register are in a waterproof and air tight enclosure.



EverBlu cyble fitted on TD8 DN20

## COMMUNICATION

### The TD8 is supplied pre-equipped with Cyble Target

Allows communication and remote reading through:

- » Pulse output (Cyble Sensor)
- » M-Bus protocol (Cyble M-Bus)
- » Radio frequency wireless link (EverBlu)

### Key Advantages of Cyble Technology

- » No need for additional investment on the meter to implement remote reading

- » Itron standardised meter interface, irrespective of meter technology and widely spread on Itron water meter range
- » Reliability brought by electronic switch (no wear or bouncing)
- » Reverse flow management
- » Principle proven in the field for more than 8 years
- » Pre-equipment being immune to magnetic tampering

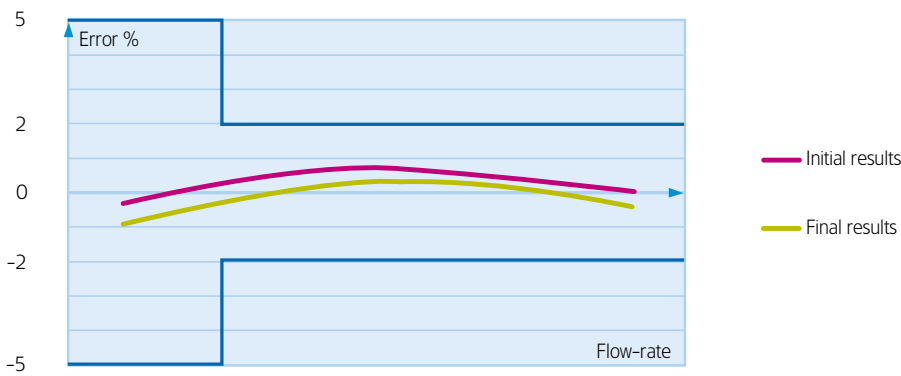
**METROLOGICAL CHARACTERISTICS**

Meter Capacity	m <sup>3</sup> /h	20	25	32
NMI R49-1 approval			14/3/3	
Maximum admissible temperature	°C		30*	
Maximum temperature for short period	°C		50	
Maximum admissible pressure	kPa	1400/1600		1200
Pressure loss P (Q4)	kPa		<100	
Flow rate ratio (Q3/Q1)		200/400	250	250
Overload flow rate (Q4)	m <sup>3</sup> /h	5	7.875	12.5
Permanent flow rate (Q3)	m <sup>3</sup> /h	4	6.3	10
Transitional flow rate (Q2)	l/h	16/32	40	64
Minimum flow rate (Q1)	l/h	10/20	25	40
Starting flow rate	l/h	2	6	11
Indication range	m <sup>3</sup>		10 <sup>6</sup>	
Minimum scale interval	l		0.5	
Communication pre-equipment		Cyble Technology		

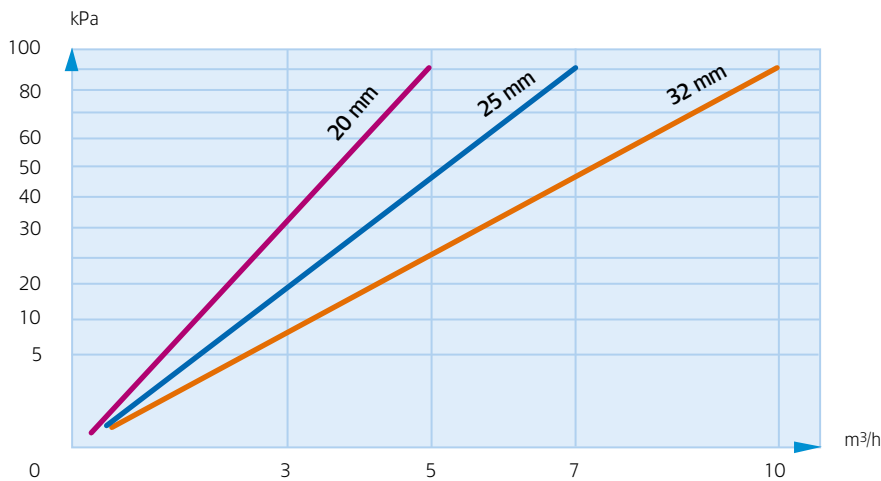


TD8 coaxial version

**ENDURANCE CURVE**



**HEAD LOSS**



TD8 indicator

## DIMENSIONS

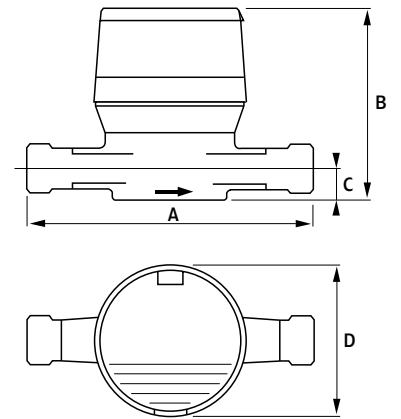
Nominal diameter (DN)	mm	20	25	32	Coaxial
Meter Thread	inches	G 1 ¼	G 1 ¼ (14 TPI)	-	G 1 ½
	mm	12-8"	38-8" (14 TPI)	-	-
A	mm	154*	178	190	-
B	mm	143	150	156	150
C	mm	20	44	44	-
D	mm	88	110	110	88
Weight	kg	1.54	3.1	3.8	1.13

\* Other available lengths 140 mm

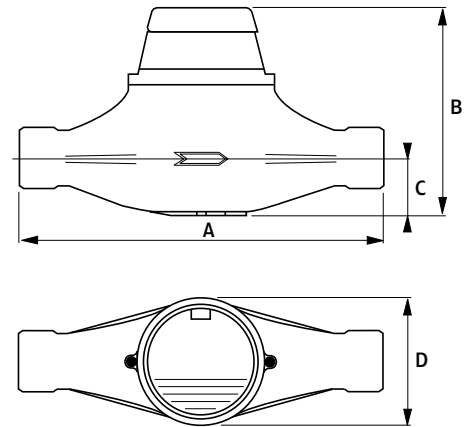
## OPTIONS (NONE EXHAUSTIVE LIST)

TD8 meters may be fitted with:

- » Removable 316 stainless steel filter inserted in the inlet
- » Frost resistant
- » Colour coded body available
- » Copper/glass register



DN 15-20



DN 32 Flanged



Join us in creating a more **resourceful world**.  
To learn more visit [itron.com](http://itron.com)

While Itron strives to make the content of its marketing materials as timely and accurate as possible, Itron makes no claims, promises, or guarantees about the accuracy, completeness, or adequacy of, and expressly disclaims liability for errors and omissions in, such materials. No warranty of any kind, implied, expressed, or statutory, including but not limited to the warranties of non-infringement of third party rights, title, merchantability, and fitness for a particular purpose, is given with respect to the content of these marketing materials. © Copyright 2016 Itron. All rights reserved. **WA-0051.1-EN-11.16**

### ITRON AUSTRALIA PTY LTD

Level 2, Suite 2.02  
10 Barrack Street  
Sydney NSW 2000 - Australia

**Phone:** +61 2 8235 5700  
**Fax:** +61 2 8235 5799