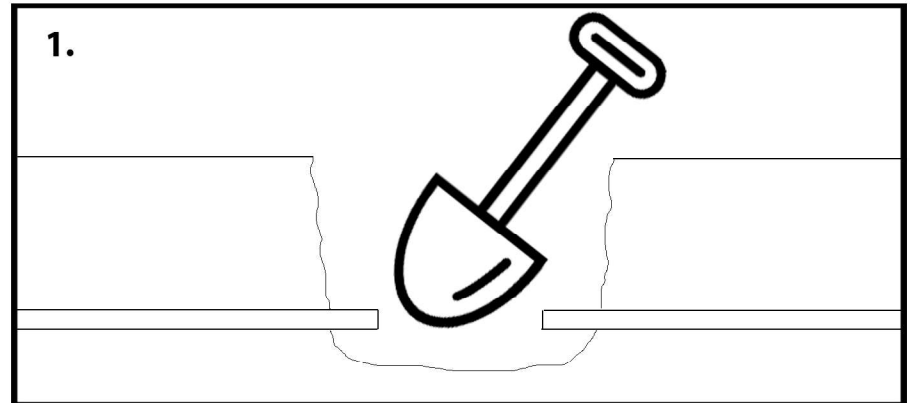


Water Meter Box Installation Instructions.

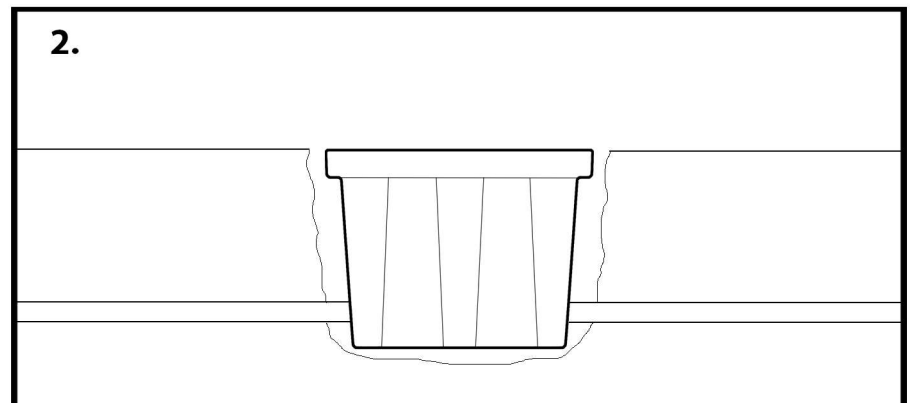
Step 1.

Dig hole deep enough to house water meter box.



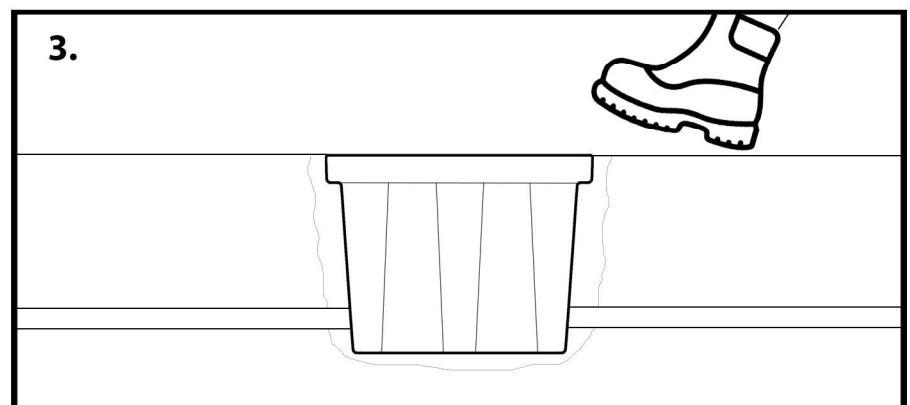
Step 2.

Test fitment of water meter box to ensure archway does not contact pipework.



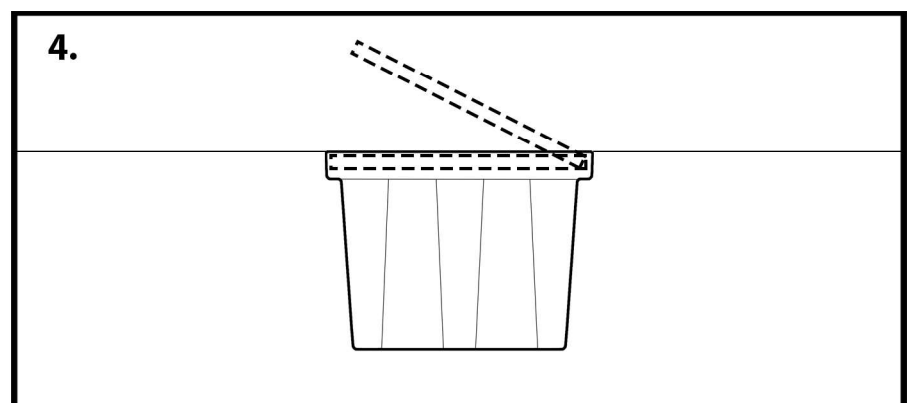
Step 3.

Back fill soil around water meter box and compact to create stability.



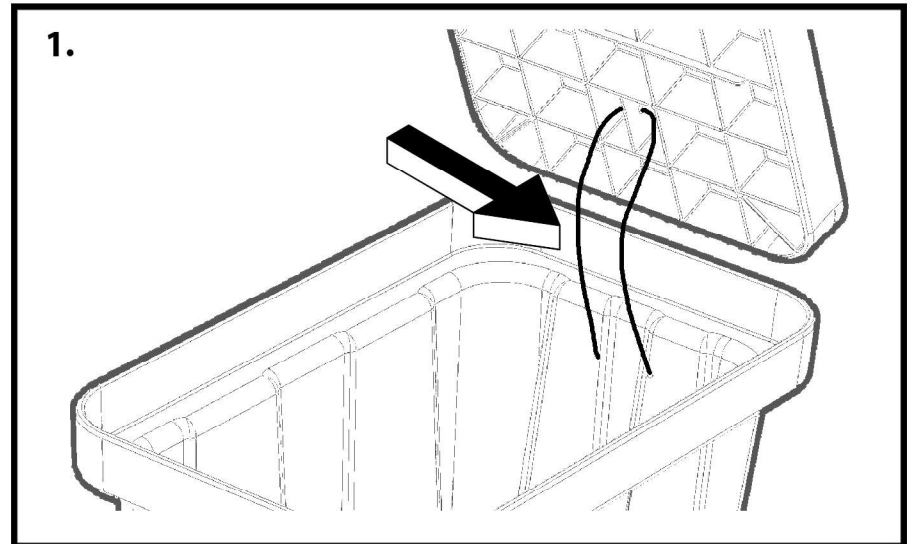
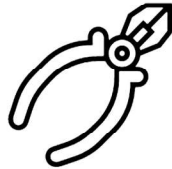
Step 4.

Test lid operation and ensure lid is level with ground height.

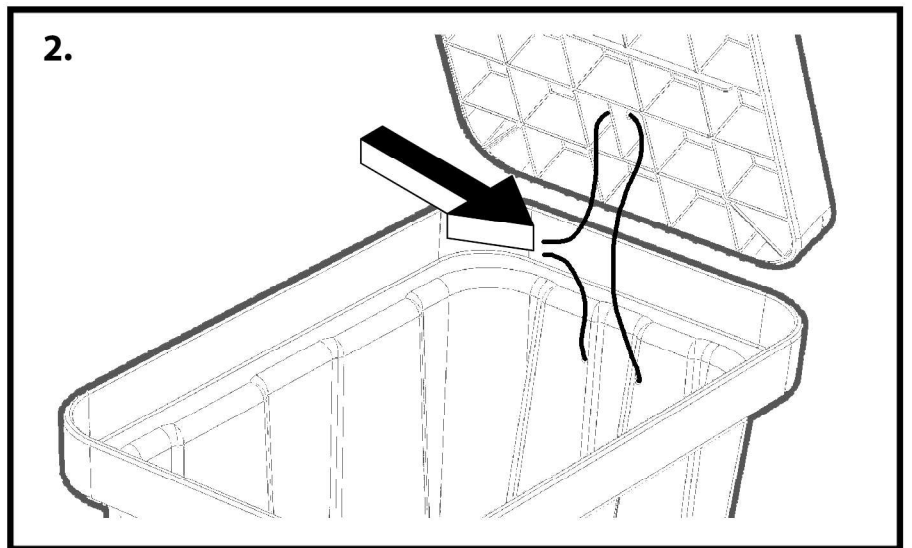
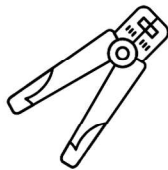


Water Meter Box Maintenance.

Step 1.
Remove Lid/Box
connecting wire with cutter.



Step 2.
Thread new wire through
holes in Box and Lid. Crimp
ferrule to close wire loop.



Step 3.
Test Lid fitment
and operation with Box.

