



Strongcast - DN20 Mains Valve

Maximum Pressure	PN32
Media	Water
Length	100mm
Inlet	20mm Male
Outlet	25 Poly

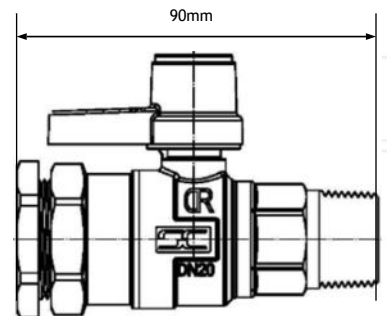


DN20 Ball valve for mains services: PE25 compression connection

CODE: C8423

Strongcast DN20 ball valve with integrated PE25 compression union allows for instant connection to PE25 pipe from the tapping saddle at the mains.

USE IN:	DN20 PE25 Service Connections
DN:	DN20
PN:	16
Material:	DZR Brass
INLET:	R3/4" Thread
OUTLET:	PE25 Compression Fitting
STANDARDS	AS4796; AS5830: AS/NZS4129
OPTIONAL EXTRAS:	Various Handles: Leaver, Square Cap, Lilac, etc.



STRONGCAST PTY LTD ALL RIGHTS RESERVED 2022



WWW.JAS-ANZ.ORG/REGISTER

