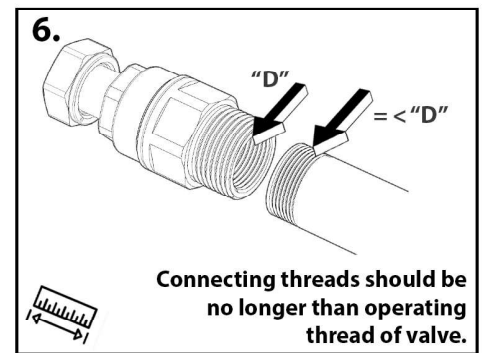
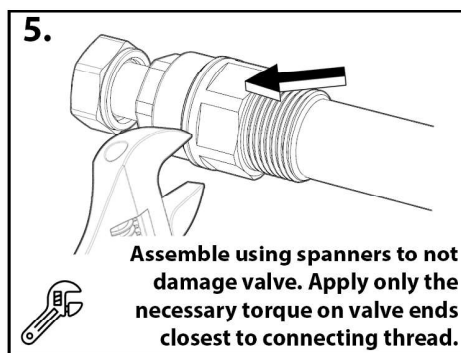
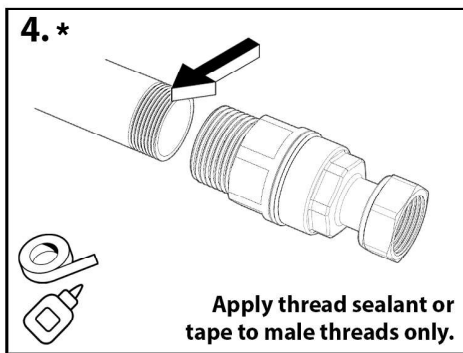
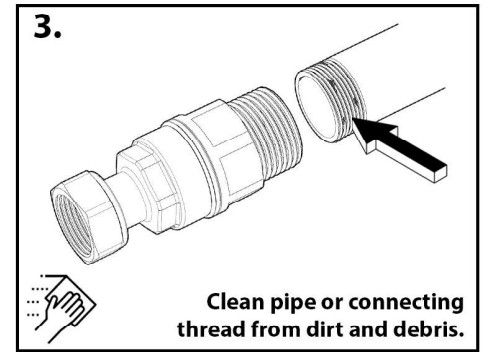
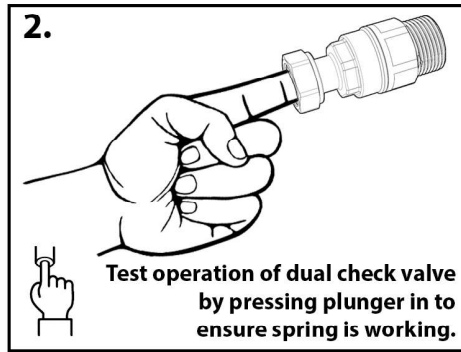
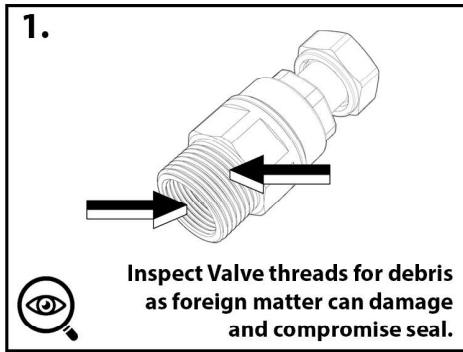


Appendix B

Dual Check Valves Installation Instructions

For Dual Check Valves: ZC707920, QC707920, C707820, ZC707925, QC707925, C707825



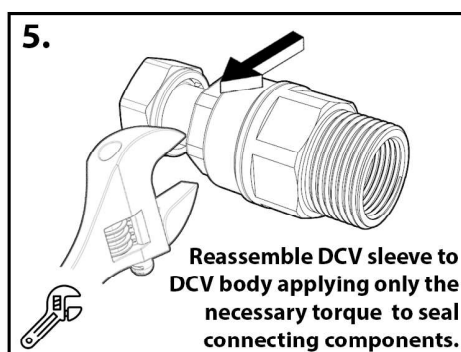
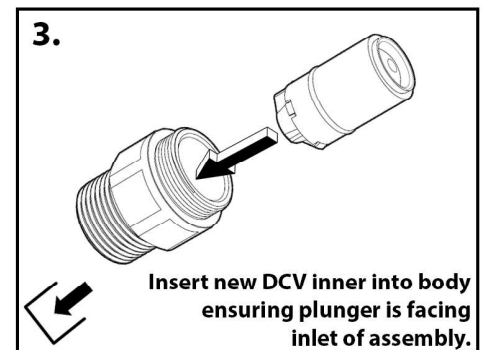
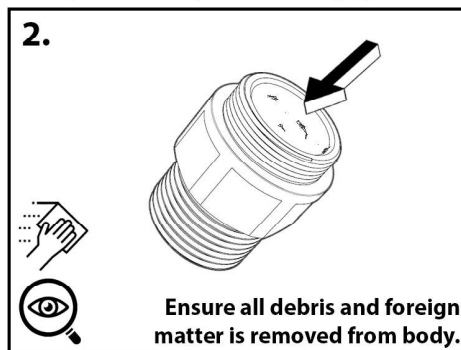
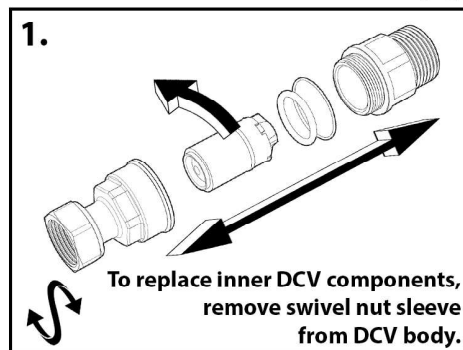
(For connections to PE pipe, please refer to Appendix D.)

(note 4* AS4020:2018 approved thread tape / sealants only)

Appendix C

Maintenance of Dual Check Valves

For Dual Check Valves: ZC707920, QC707920, C707820, ZC707925, QC707925, C707825



(note 4* AS4020:2018 approved non-toxic lubricants only)