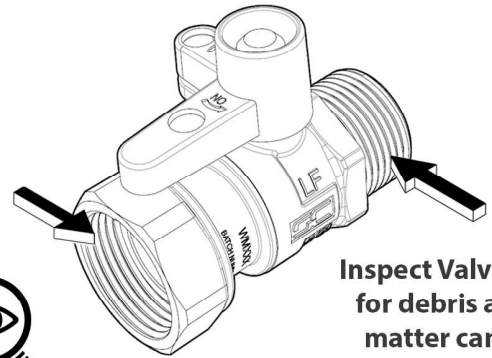


# Appendix A.

## Ball Valve Installation Instructions

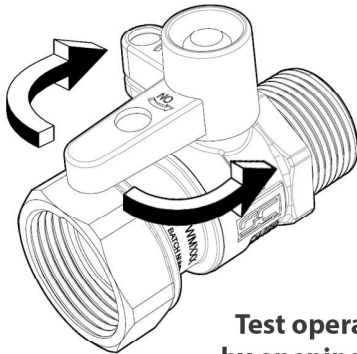
For Valves:  
 ZC9746, QC9746, NC9746, C9745,  
 QC7094, ZC7094, NC7094, NC7095,  
 C2532, QC7095, ZC7095, C7093.

1.



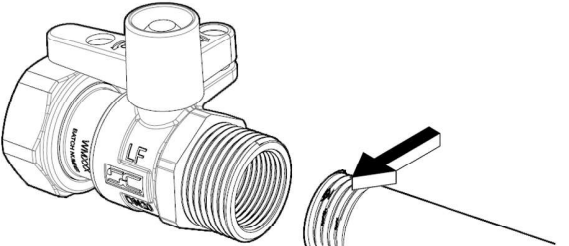
Inspect Valve threads for debris as foreign matter can damage and compromise seal.

2.



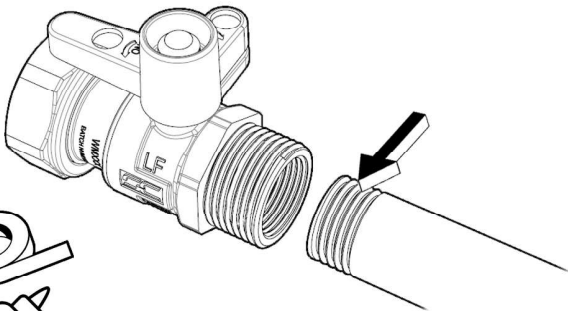
Test operation of valve by opening and closing.

3.



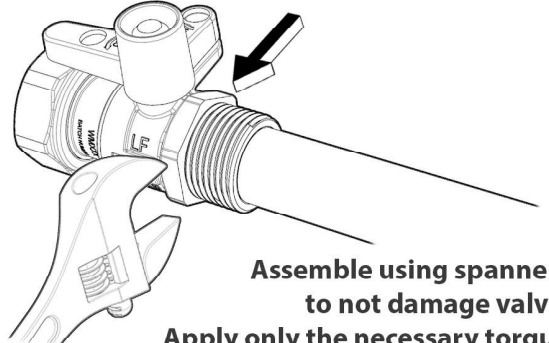
Clean pipe or connecting thread from dirt and debris.

4.\*



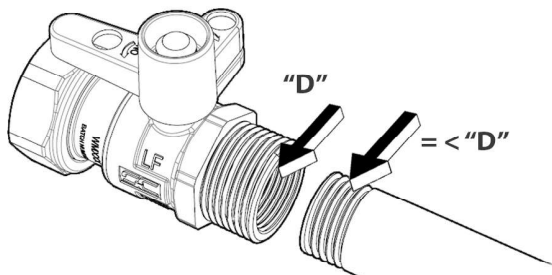
Apply thread sealant or tape to male threads only.

5.



Assemble using spanners to not damage valve. Apply only the necessary torque on valve ends closest to connecting thread.

6.



Connecting threads should be no longer than operating thread of valve.

7.



For connections to PE pipe, please refer to Appendix D.

(note 4\* AS4020:2018 approved thread tape / sealants only)